



WE DO ORDINARY THINGS  
EXTRAORDINARILY WELL!

# FIREWOOD PROCESSORS





## OUR OWN IDEAS

DRIVES DEVELOPMENT OF IMPROVED PRODUCTS PREPARED FOR  
THE CHALLENGES OF THE FUTURE

---

We are grateful to our customers for the continued feedback on the performance of our products including the ideas to improve this performance. We cherish this close cooperation with our customer base as it is our best way of ensuring the DUUN products are meeting expectations and remain an ever-stronger signal of a leading brand in all our product categories.

## OUR HISTORY OF INNOVATION FORM THE FOUADATION FOR OUR ACTIVE PRODUCT DEVELOPMENT

All the time since DUUN developed new revolutionary design of roll-cages for tractors in the early 1960s we have adhered to the principle that robust construction coupled with innovative production led to the best and most cost effective products for the customer.

Already at this time new high-strength material formed in hydraulic presses lead to achievement of better products that meet stringent requirements. This is still a leading principle for our constructors in the efforts to design new and better solutions for our customers. When this is coupled with state-of-the-art laser cutting and robotic welding, the special skills we have developed over time allow us to manufacture these in a rational way ensuring good value both for Duun and for the customer.

### AKTIVE USE OF NEW MATERIAL GRADES

There is continuous evolution in steel grades. We have standardized our base construction on high-strength steel (s650 and above). Despite these materials being more demanding to work with, the higher deformation resistance and possibilities they provide for the user make it worth-while for us to invest in the technology and know-how required to efficiently utilise them (the next page provide an illustration on the strength difference).

The drive to make better product for our customers is one of the reasons for investments in manufacturing technology able to handle the strain. By using these materials, we are able to use less material and achieve lighter and stronger products that lasts longer while at the same time are more sustainable for the environment.

### MADE IN NORWAY

Every DUUN product is manufactured in our factory in Åsen in Trøndelag in the centre of Norway. We manufacture most of the key components ourselves and purchase the remaining from quality suppliers.

This focus on details in every component as well as automated

### HIGHLY AUTOMATED FACTORY WITH A SKILLED WORKFORCE

We have a long history and much experience of working with complex steel constructions and mass production for customers in other industries. This work demand adherence to strict requirements forth on welding quality and surface treatment. In addition to this the competitive nature of subcontract work ensure that we test our competitiveness in the manufacturing field constantly.

### CONSTRUCTION TECHNOLOGY

All our constructions are designed in 3D from the start. We utilise the same system to stress test the constructions and as such minimizing the chance of sub optimal performance form the steel constructions. When engineering releases the design all the completed

### NORWAYS FIRST SSAB «MY INNER STRENX» MEMBER

Strenx® is a trademark from SSAB for high-strength steel. To be allowed to put the Strenx® logo on a product each product need to be approved by SSAB engineers for the quality of construction and the appropriate use of high-strength materials.

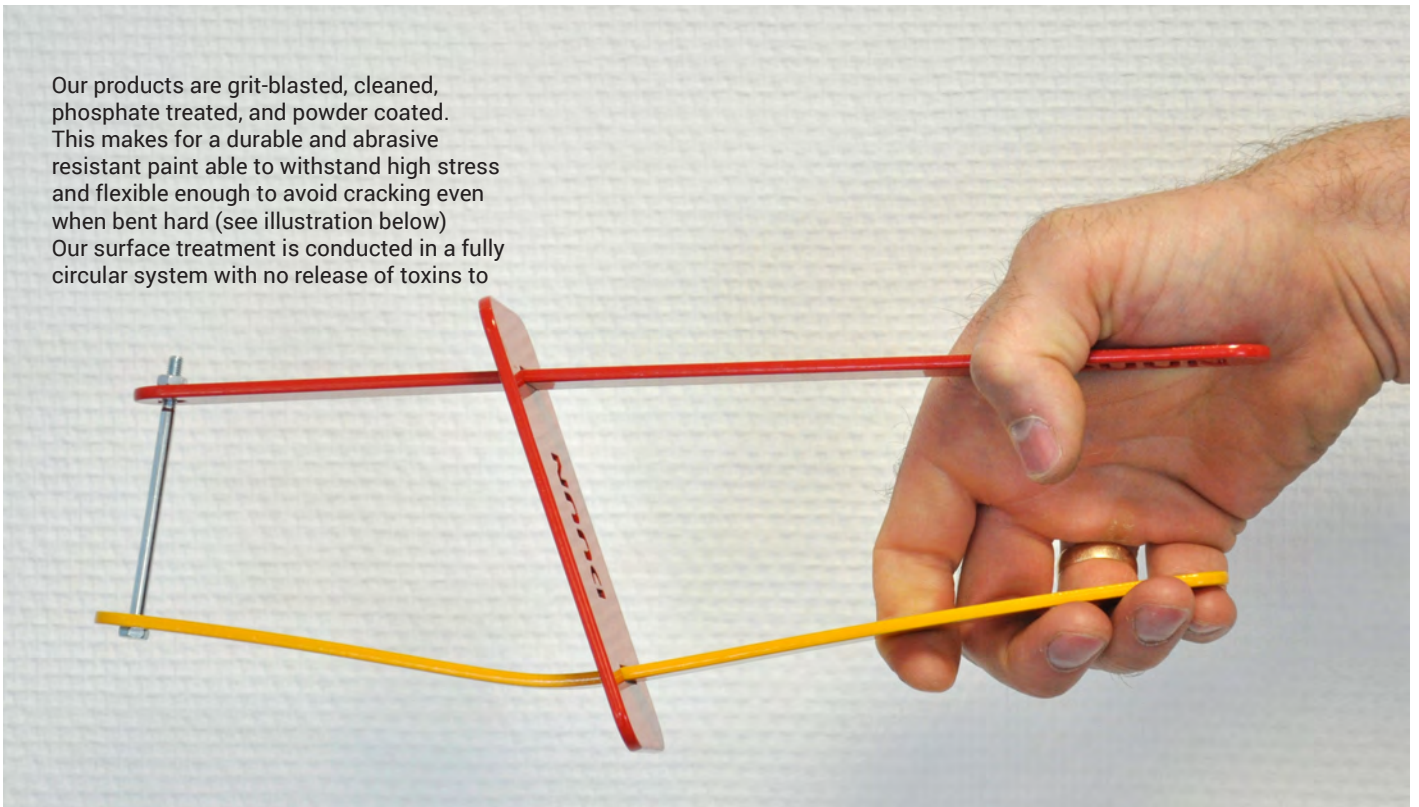
### QUALITY PAYS IN THE LONG RUN

The continuing evolution into larger tractors and the intensity of use to which agricultural equipment are subjected puts a high demand on the strength and durability.

Machines that are to meet these expectations are required to be designed with the appropriate material and thickness. Experience repeatedly prove

# THE BEST STEEL AND THE BEST SURFACE TREATMENT!

Our products are grit-blasted, cleaned, phosphate treated, and powder coated. This makes for a durable and abrasive resistant paint able to withstand high stress and flexible enough to avoid cracking even when bent hard (see illustration below) Our surface treatment is conducted in a fully circular system with no release of toxins to



## ILLUSTRATED IN THE PICTURES:

Yellow part in mild steel and red part in Strenx® 650 as used in the DUUN products. By squeezing the two parts together until the touch and then releasing pressure you can clearly see the difference in properties. The yellow part is permanently deformed while the red part is still in original form. The steel used in the DUUN products (red) are high-strength and withstand far more pressure before permanent deformation occur as shown above. This is very important for products that are exposed to high stress over time. It is also more environmentally friendly since you can make lighter products with high strength.







# DUUN VM320

EFFICIENT FIREWOOD PROCESSOR WITH ROBUST SIMPLICITY AND GOOD OPERATOR COMFORT.

Duun firewood processors are constructed to provide better overall economy and the least possible environmental impact

- Easy operation of feeding-belt-forward, cutting and splitting with one multifunction lever. Manual mechanically powered saw movement ensure good operator control
- Wide feed table and a robust log holder make for easy feed.
- Deliberate operation of the splitter provides good “flow” in the operation
- Capacity: 32 cm diameter up to 50cm length.
- 5,6 tons splitting force
- Conveyor with 4m length and debris separation
- High-strength steel materials provide much higher durability.
- Option with extra connection for hydraulic log deck

## TECHNICAL SPECIFICATION

Operation	Multifunction lever
Cutting diameter max	32 cm
Cutting length	20–50 cm
Log holder	Mechanical
Log stopper	Mechanical
Saw chain pitch	1,6 mm 0.325"
Saw chain drive	Hydraulic
Saw chain lubrication	Separate pump
Volume saw chain oil tank	2,5 litres
Splitting force max	5600 kg
Splitter (standard)	4-piece
Splitting axe adjustment	Mechanical
Out conveyor	4 m chain drive
Out conveyor side adjustment	N/A
Debris segregation	Grate in conveyor
Number of hydraulic pumps	1
RPM PTO input	400 rpm
Volume Oil tank	40 litres
Net weight	600 kg
Height transport mode	2315 mm
Width transport mode	2394 mm
Depth transport mode (tractor)	1260 mm
Depth transport mode (electric)	N/A



## OPERATION

Operation of feeding belt, cutting cycle and splitting cycle in one multifunction lever.  
Splitter is equipped with fast function engaged directly from lever.



## IN FEED CONVEYOR

Wide and long feed belt. Robust construction that can withstand hard use over time.  
Simple and robust log holder that is manually operated.



## LOG STOPPER

Evading log stopper make sure the saw bar operate freely and that he log fall into the splitting cradle.  
Saw chain is lubricated by a separate pump at every movement of the saw bar.  
Separate container for the saw chain oil and possibility to adjust lubrication pump.



## SPLITTING AXE

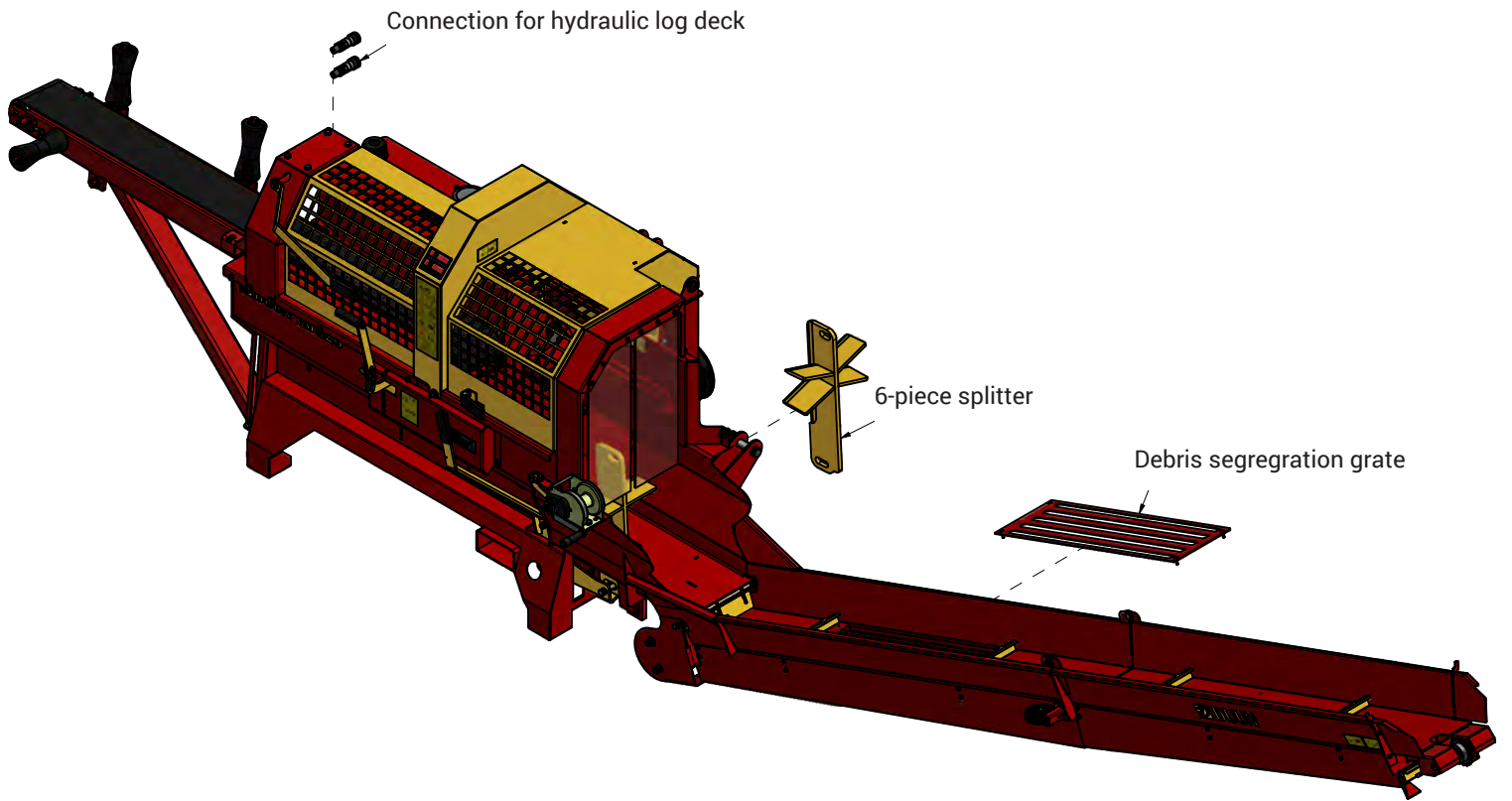
4-piece splitter with height adjustment.  
Output conveyor with debris segregation grate.  
Automatic tensioner on the output conveyor chain.

# DUUN VM320

## ACCESSORIES

---







## DUUN VM370

### MID-RANGE FIREWOOD PROCESSOR WITH EXCELLENT OPERATOR COMFORT AND HIGH CYCLE SPEED

Duun firewood processors are constructed to provide better overall economy and the least possible environmental impact

- Easy operation of feeding-belt (forward and backward), cutting and splitting with one joystick.
- Hydraulically powered saw movement eases the work for the operator
- Wide feed table, side-shifted splitter cradle and deliberate splitter release provide good "flow" in the operation
- Capacity: 37 cm diameter up to 50cm length.
- 8,5 tons splitting force
- Conveyor with 4m length and debris separation
- Frame knife provides less hull load and longer service life
- Prepared for connection of hydraulic log deck
- High-strength steel materials provide much higher durability.

#### TECHNICAL SPECIFICATION

	VM370	VM370x
Operation	Joystick	Joystick
Cutting diameter max	37 cm	37 cm
Cutting length	20–50 cm	20–50 cm
Log holder	Mechanical	Mechanical
Log stopper	Mechanical	Mechanical
Saw chain pitch	1,6 mm 0.325"	1,6 mm 0.325"
Saw chain drive	Hydraulic	Hydraulic
Saw chain lubrication	Separate pump	Separate pump
Volume saw chain oil tank	2,5 litres	2,5 litres
Splitting force max	7000 kg	8500 kg
Splitter (standard)	4-piece	6-piece
Splitting axe adjustment	Mechanical	Hydraulic
Out conveyor	4 m chain drive	4 m chain drive
Out conveyor side adjustment	Mechanical	Mechanical
Debris segregation	Grate in conveyor	Grate in conveyor
Number of hydraulic pumps	2	3
RPM PTO input	400 rpm	400 rpm
Volume Oil tank	75 litres	75 litres
Net weight	880 kg	880 kg
Height transport mode	2540 mm	2540 mm
Width transport mode	2400 mm	2400 mm
Depth transport mode (tractor)	1550 mm	1550 mm



## OPERATION

Joystick ensure operation of feeding, cutting, and splitting. Easy access to operation of manual log holder. Adjustable force on saw bar movement. Mechanical side adjustment of output conveyor. Seamless speed adjustment on output conveyor. Hydraulic height adjustment of splitting axe. Outlet for hydraulic log deck standard.



## LOG STOPPER AND CHAIN LUBRICATION

Practical and robust log stopper easily adjustable seamlessly between 20 and 50 cm.

Saw chain oil from separate container, lubricates for every bar movement, amount adjustable.



## OUTPUT CONVEYOR

An extra long debris removal grating in the output conveyor ensure a cleaner firewood directly from the machine.

An open construction and spring-loaded tensioner ensure minimal wear on drivetrain components.



## SERVICE FRIENDLY

Easy access to the main hydraulics.

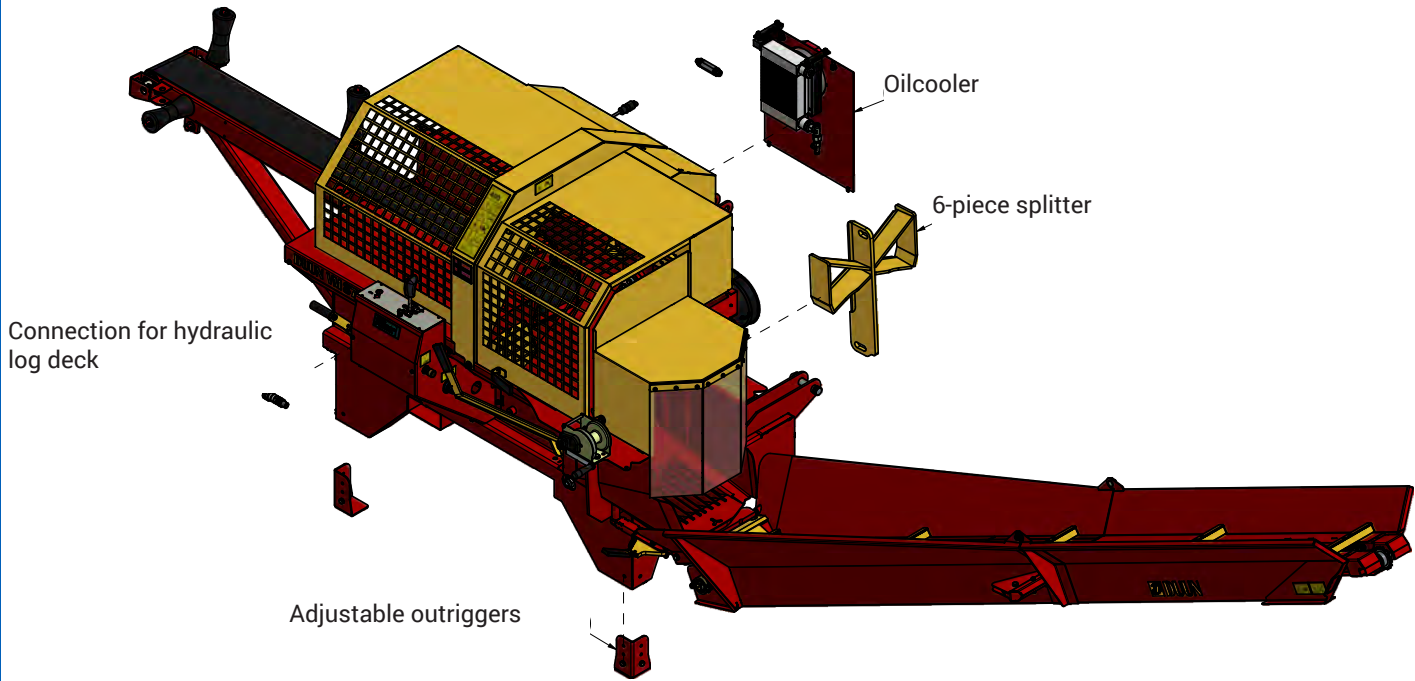
Easy access to electrics box including display for operations information including error codes.

# DUUN VM370

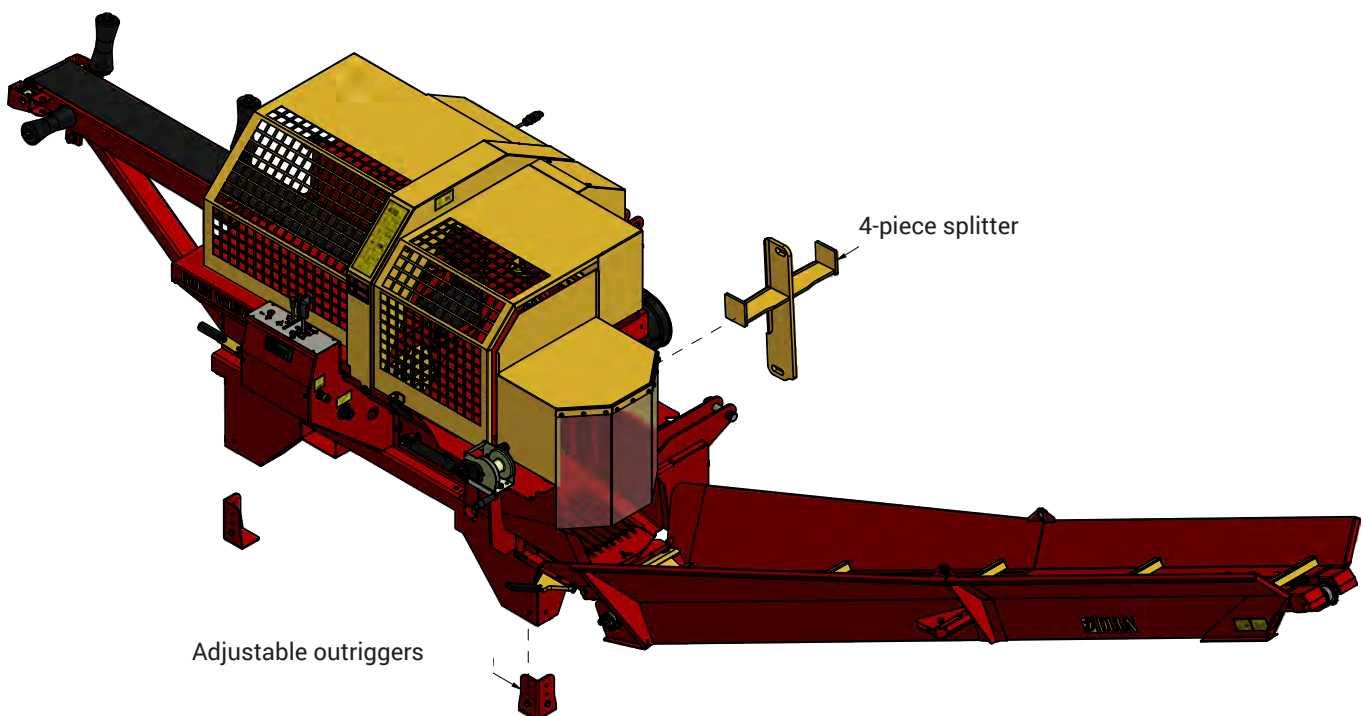
## ACCESSORIES

---

### VM370



### VM370X





# DUUN VM410

## HIGH END FIREWOOD PROCESSOR WITH EXCELLENT OPERATOR COMFORT AND

Duun firewood processors are constructed to provide better overall economy and the least possible environmental impact

- Easy operation of feeding-belt (forward and backward), cutting and splitting with one joystick.
- Hydraulically powered saw movement eases the work for the operator
- Wide feed table, side-shifted splitter cradle and deliberate splitter release provide good "flow" in the operation
- Capacity: 41cm diameter up to 50cm length.
- 11 tons splitting force
- Conveyor with 4m length and debris separation
- Frame knife provides less hull load and longer service life
- Prepared for connection of hydraulic log deck
- High-strength steel materials provide much higher durability.

### TECHNICAL SPECIFICATION

	VM410
Operation	Joystick
Cutting diameter max	41 cm
Cutting length	20–50 cm
Log holder	Hydraulic
Log stopper	Mechanical
Saw chain pitch	1,6 mm 0.325"
Saw chain drive	Hydraulic
Saw chain lubrication	Separate pump
Volume saw chain oil tank	2,5 litres
Splitting force max	11000 kg
Splitter (standard)	8-piece
Splitting axe adjustment	Hydraulic
Out conveyor	4 m chain drive
Out conveyor side adjustment	Mechanical
Debris segregation	Grate in conveyor
Number of hydraulic pumps	3
RPM PTO input	400 rpm
Volume Oil tank	75 litres
Net weight	900 kg
Height transport mode	2540 mm
Width transport mode	2400 mm
Depth transport mode (tractor)	1550 mm
Depth transport mode (electric)	N/A



## OPERATION

Joystick ensure operation of feeding, cutting, and splitting. Easy access to operation of hydraulic log holder.

Adjustable force on saw bar movement.

Mechanical side adjustment of output conveyor.

Seamless speed adjustment on output conveyor.

Hydraulic height adjustment of splitting axe. Outlet for hydraulic log deck standard.



## LOG STOPPER AND CHAIN LUBRICATION

Practical and robust log stopper easily adjustable seamlessly between 20 and 50 cm.

Saw chain oil from separate container, lubricates for every bar movement, amount adjustable.



## OUTPUT CONVEYOR

An extra long debris removal grating in the output conveyor ensure a cleaner firewood directly from the machine.

An open construction and spring-loaded tensioner ensure minimal wear on drivetrain components.



## SERVICE FRIENDLY

Easy access to the main hydraulics.

Easy access to electric box including display for operations information including error codes.



## DUUN VM450

### PROFESSIONAL GRADE FIREWOOD PROCESSOR MADE FOR HIGH EFFICIENCY AND LARGE VOLUMS

Duun firewood processors are constructed to provide better overall economy and the least possible environmental impact

- Professional firewood processor with high capacity and good driving comfort
- Takes large dimensions and has a high splitting force
- Joystick operation and hydraulic control of feeder, log holder, hatches for sliding cracks, saws, splitters, discharge belts and control of step feeders and log tables
- Can be delivered as an electric machine or tractor operation

#### TECHNICAL SPECIFICATION

Operation	Joystick
Cutting diameter max	45 cm
Cutting length	20–60 cm
Log holder	Hydraulic
Log stopper	Dual photocell
Saw chain pitch	1,6 mm 0.404"
Saw chain drive	Hydraulic
Saw chain lubrication	Separate pump
Volume saw chain oil tank	5,0 litres
Splitting force max	16000 kg
Splitter (standard)	12-piece
Splitting axe adjustment	Hydraulic
Out conveyor	4 m chain drive
Out conveyor side adjustment	Hydraulic
Debris segregation	Grate in conveyor
Number of hydraulic pumps	3
RPM PTO input	400 rpm
Volume Oil tank	100 litres
Net weight	1450 kg
Height transport mode	2540 mm
Width transport mode	2770 mm
Depth transport mode (tractor)	1470 mm
Depth transport mode (electric)	1870 mm





## OPERATION

Joystick operation of feeding, cutting, and splitting.  
Operation of log holder and hatches that let the wood down into the splitting cradle by buttons on joystick.  
Adjustable speed and force on saw bar.  
Hydraulic side adjustment of discharge belt. Seamless output conveyor speed adjustment.  
Hydraulic height adjustment of splitting axe. Hydraulic outlet for step feeder and log table.  
The splitting length of the splitting cradle is hydraulically regulated.



## SPLITTING MODULE

Hydraulic seamless adjustable length splitting cradle that regulates the length of the splitting stroke between 30 and 60 cm.  
Hydraulic hatches that can hold the log before it is released into the splitting cradle. The hatches are operated by buttons on joystick.



## FEED BELT

Wide feeder belt with extra hydraulic roller that ensures safe feeding of timber and a steady hold during cutting.  
Hydraulic log holder controlled by buttons on joystick and shaped for constant adjustment of the log for ideal cutting.



## SPLITTER

The splitting axe is a frame construction to avoid twisting. While at the same time it is designed for as easy as possible splitting.  
Standard with 12-parts to be able to split large dimensions without having to re-split the logs.







# DUUN ST2440

## SOLID AND SIMPLE LOG RACK

Duun firewood processors are constructed to provide better overall economy and the least possible environmental impact

- Built of high-strength steel grades for maximum load-bearing capacity and durability.
- Can be equipped with as many as 3 driven rollers for safe feeding.
- Fork pockets for easy transfer (hydraulic model only).
- Robust and safe chain operation.
- Adjustable support legs.
- High edge in front holds large and difficult logs in place.

### TECHNICAL SPECIFICATION

Weight	230 kg
Width	2460 mm
Height	1010/1130 mm
Depth	2148 mm
Width manual rollers	200 mm
Width hydraulic rollers	300 mm
Number of feed rollers	3
Log stand ST2440 manual	41409002
Log stand ST2440 hydraulic	41409003
Complete drive unit with motor feed rollers and chain box	41403003



### **HYDRAULIC FEED**

Three driven feed rollers provide self-entry crooked and difficult subjects.



### **ADJUSTABLE FEET**

Adjusted step by step to adjust the height of the table to machine height and terrain.



### **FORK POCKETS**

A practical detail that simplifies transfer and location in stock (not supplied for manual version).



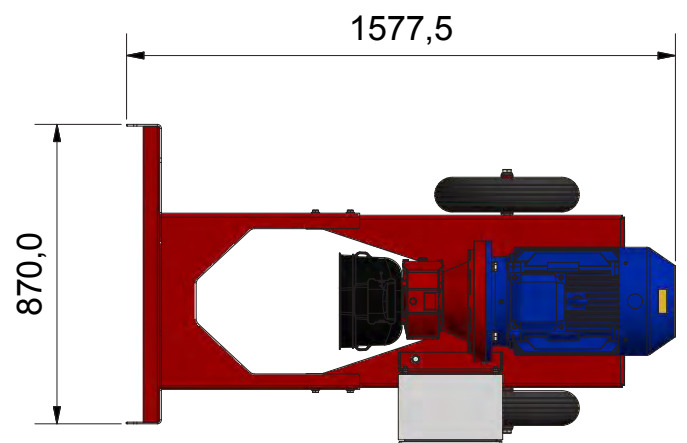
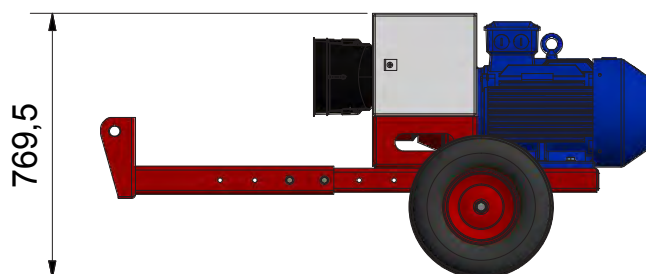
# ELECTRIC POWER EP

## ELECTRIC OPERATION OF VM320, VM370 OG VM370X

Duun firewood processors are constructed to provide better overall economy and the least possible environmental impact

- electric operation of firewood processors
- Hangs in three points on the wood machine and drives the wood machine with a standard PTO shaft.
- Comes complete with control cabinet and PTO shaft.
- Stands on a frame with wheels and can be moved by hand.

### TECHNICAL SPECIFICATION





# DUUN TK105

## SOLID TIMBER CLAW FOR HEAVY LIFTING

Duun timber claw are constructed to provide better overall economy and the least possible environmental impact

- Solid timber claw that can be used on everything from timber to stone.
- The body is made of Strenx and the upper and lower part are made of Hardox for great durability.
- Comes with SMS trima or Euro
- Whole lower part that allows you to gather the logs nicely.

### TEKNISKE DATA

Weight	230 kg
Width	1020 mm
Height	1311 mm
Depth	1185 mm
Hole opening (diameter)	1050 mm
Timber claw	33119002
Mounting bracket Trima	33113004
Mounting bracket Euro	33113005



[DUUN.NO](http://DUUN.NO)