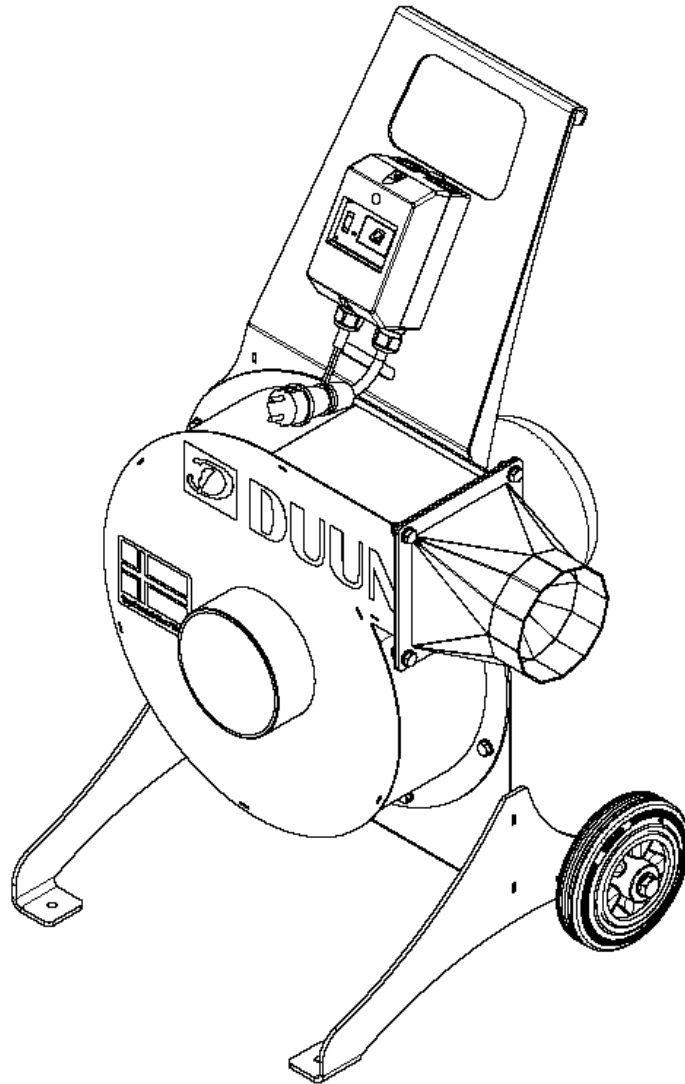




Duun Industrier as
7630 Åsen, Norway
www.duun.no

SV325 Sawdust fan



Congratulations on the purchase of Duun SV325 sawdust fan.

All Duun tractor operated machines have been engineered and tested in close cooperation with representative users to produce functionally safe and user-friendly machines.

Please read this instruction manual before using the machine.

Good luck!

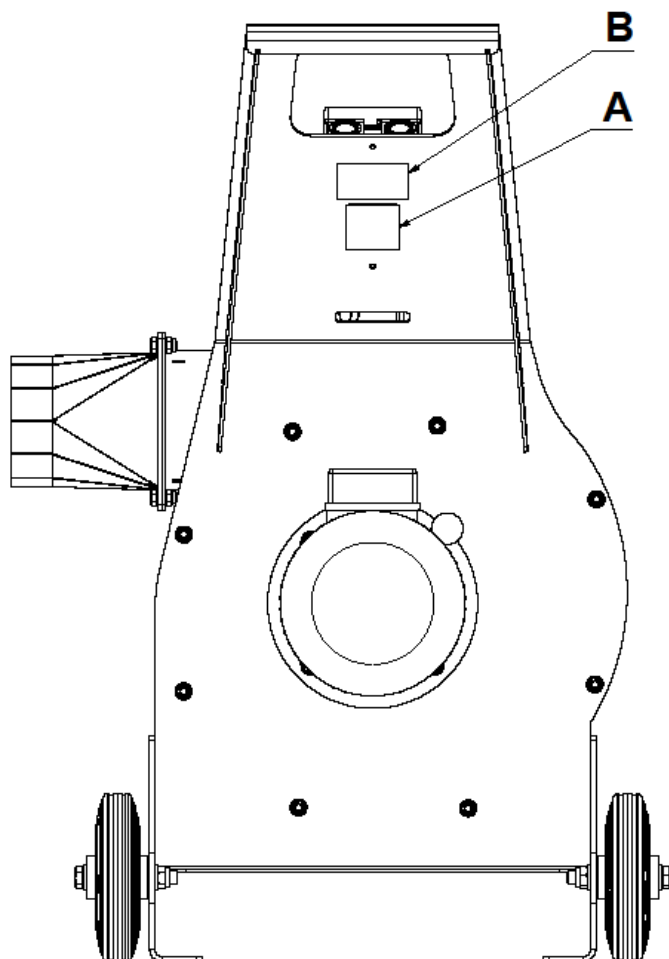
Machine identification

Serial number and manufacturer are indicated on badge [B]

Register serial number and delivery time as indicated.

Always specify serial number when requesting service for the machine.

The machine is CE-marked [A]. This marking confirms that the machine has been manufactured in conformity with EU Directive Machinery.



Serial number

Time of delivery (month/year)

CONTENT

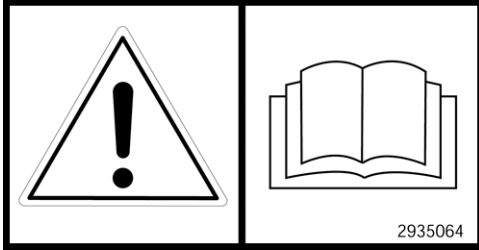
MACHINE IDENTIFICATION	2
SAFETY	4
WARRANTY TERMS	6
DELIVERY FORM DUUN OF SV325 SAWDUST FAN	7
TECHNICAL DATA	8
PREPARATION FOR USE	9
ATTACHMENT OF A BRACKET FOR A HOSE	9
ELECTRICAL OPERATION	10
HYDRAULIC OPERATION	11
DECLARATION OF CONFORMITY	12

SAFETY

All operators, mechanics and the owner must always work carefully with agricultural machinery. Read and observe safety instructions in this instruction manual.

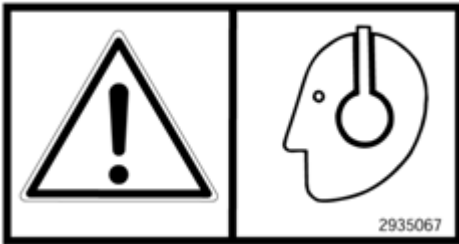


Be particularly aware of warning signs with this symbol, it marks measures that must be carried out in order to avoid accidents. The symbol appears in the instruction manual and on warning signs on the machine.



Instruction manual

All operators, mechanics and the owner must be well acquainted with the instruction in this instruction manual before the machine is taken into use.



Safety equipment

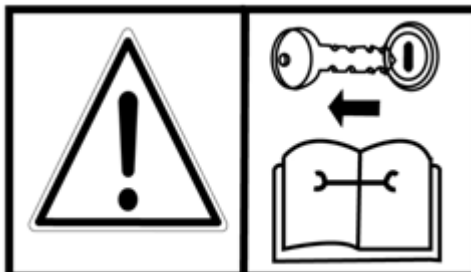
Always wear hearing protection and safety glasses when using the firewood processor. Furthermore, safety shoes and sturdy work gloves should be worn when operating the machine and materials.



Clothing and rotating shaft

Do not work in clothing that can be pulled into moving parts of the machine (e.g. scarves, long coats).

The tractor is disengaged and the handbrake is applied before the shaft is connected to the tractor's PTO.



Safety in case of interruptions and maintenance

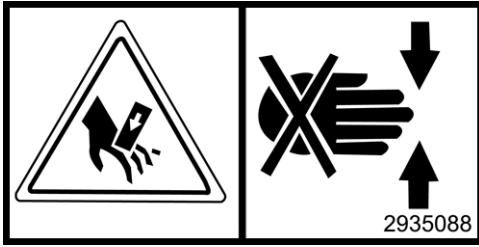
Remember always to stop the tractor's engine and remove the ignition key before you lubricate, adjust, clean, or carry out repairs.

This is to secure that the tractor does not start before you have completed the operation.



Hydraulics high fluid pressure

Be careful working with hydraulics. Use eye protection and gloves. Hydraulic oil under high pressure can penetrate the skin and cause serious infections. See a doctor if you have been injured. Ensure that no one is standing by when hydraulic functions are performed.



Crushing hazard at marked points

Pay particular attention to the risk of crushing at points marked for this.

Field of application

The machines are only intended for the transport of sawdust from a chainsaw chain or equivalent from Duun firewood processors. The sawdust fan is designed to receive sawdust from the discharge point in the wood chipper and transport sawdust further to suitable storage.

Before starting up after maintenance, check that all tools have been removed and replaced.

Before raising or lowering the machine, check that no one is near or touching the machine.

If warning signs are removed during repairs or service, new signs must be installed immediately!

Warranty terms

Duun sawdust fan SV325 has 12 months guarantee against defects in materials and workmanship.

Parts that are not originally manufactured by Duun Industrier as, for example, axles, bearings etc. are subject to these suppliers' guarantees and terms.

Parts that are considered wearing parts are not included in the warranty - these are specified in a separate table at the bottom of this page.

In cases where a repair is considered to be included as a matter of warranty, the representative must inform the supplier's representatives that the repair is thought to be carried out as a matter of warranty.

The following information must be registered in this connection:

- Product designation
- The product's serial number. (see machine identification p.2)
- Date of sale
- The product owner address, tel. no.
- The seller with address, tel. no.

In case of such a repair, the supplier is presented with a claim within 3 weeks after the repair date.

Replaced parts are to be kept until a decision has been made with reference to the claim and the replaced parts are to be forwarded to Duun Industrier as for assessment if so required.

As the employment of the product is beyond our control, we may only guarantee the quality and do not accept liability for the product's general performance.

Warranty liability requires that scheduled maintenance be done.

Duun Industrier as reserves the right to modify the design and specifications and/or make alterations and improvements without notification.

What is not included in the guarantee:

- The guarantee does not cover financial loss as a result of interruption of operation.
- The guarantee does not cover consequential loss due to defects.
- The guarantee does not cover defects or damage caused by misuse and uses that are not in accordance with the instruction manual's specifications and guidelines.

The following parts and materials are considered wearing parts and are not covered by warranty:

- Cover tube for discharge screw
- Discharge screw

DELIVERY FORM OF DUUN SV325 SAWDUST FAN

MACHINE INFORMATION

Model _____

Serial no.. _____

CUSTOMER INFORMATION

Machine owner _____

Address _____

Zip code _____

Town _____

DELIVERY OF THE MACHINE

Seller and customer have together checked that the machine is free of transport damage and all equipment is included.

The customer has been made aware of the use of the machine:

- How the machine is made ready for operation.
- Height adjustment of the machine and the correct length of the feeder stock. (page 9)
- How to regulate feed rate. (page 8)

Seller and customer have undergone service and maintenance together. (page 9).

The customer has been made aware of the warranty regulations. (page 6)

The customer has been informed of the conditions for practical use. (page 9)

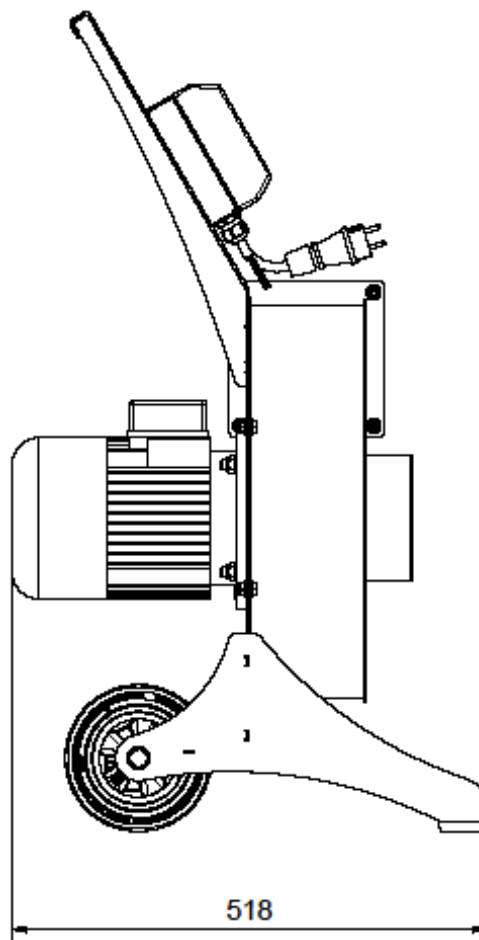
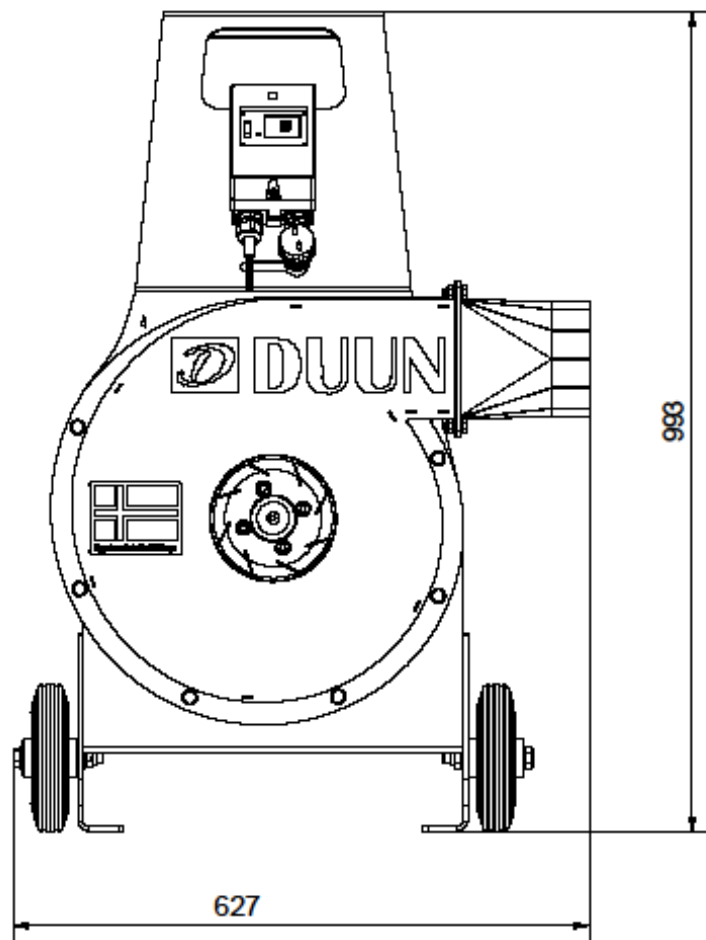
The parts catalog is available from the retailer.

Date _____ Place _____

The customer's signature

Sale representative's signature

Technical data

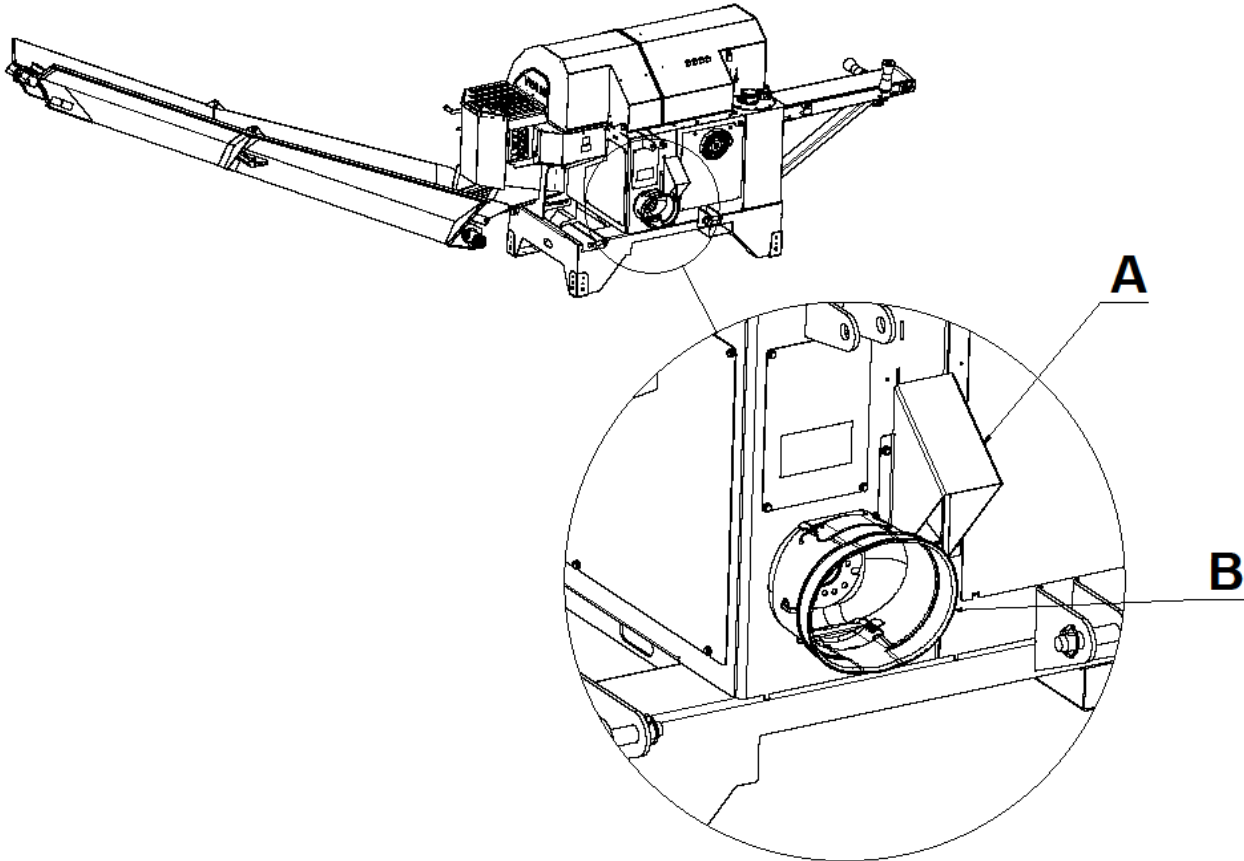


Features:	SV325 Hyd	SV325 EL
Net weight	kg	
Length	518 mm	518 mm
Height	993 mm	993 mm
Width	627 mm	627 mm
Intake hose diameter	Ø140 mm internal	Ø140 mm internal
Exhaust hose diameter	Ø127 mm internal	Ø127 mm internal
Hydraulic drive motor	6 ccm oil motor	
EL motor		1500 W
Fuse		1 phase 16 A

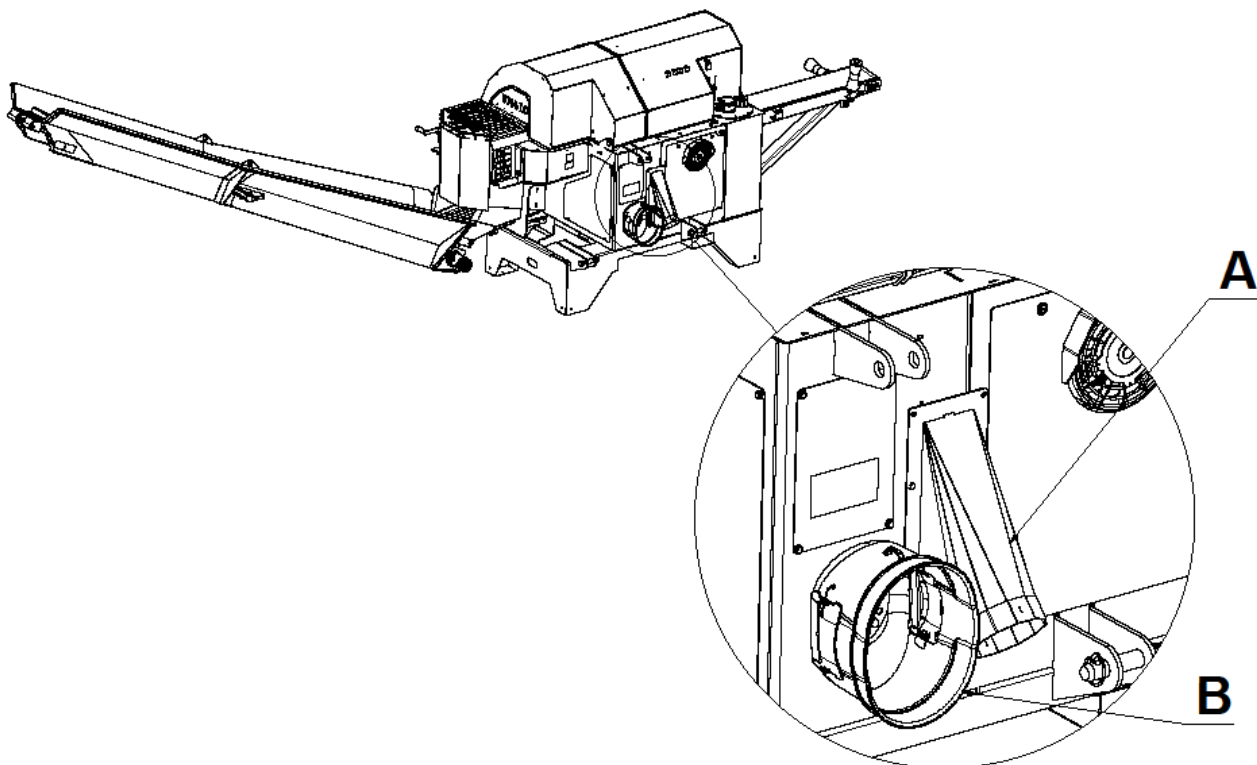
All values are approximate and dependent on the placement.

Preparations for use

Attaching the bracket for the hose

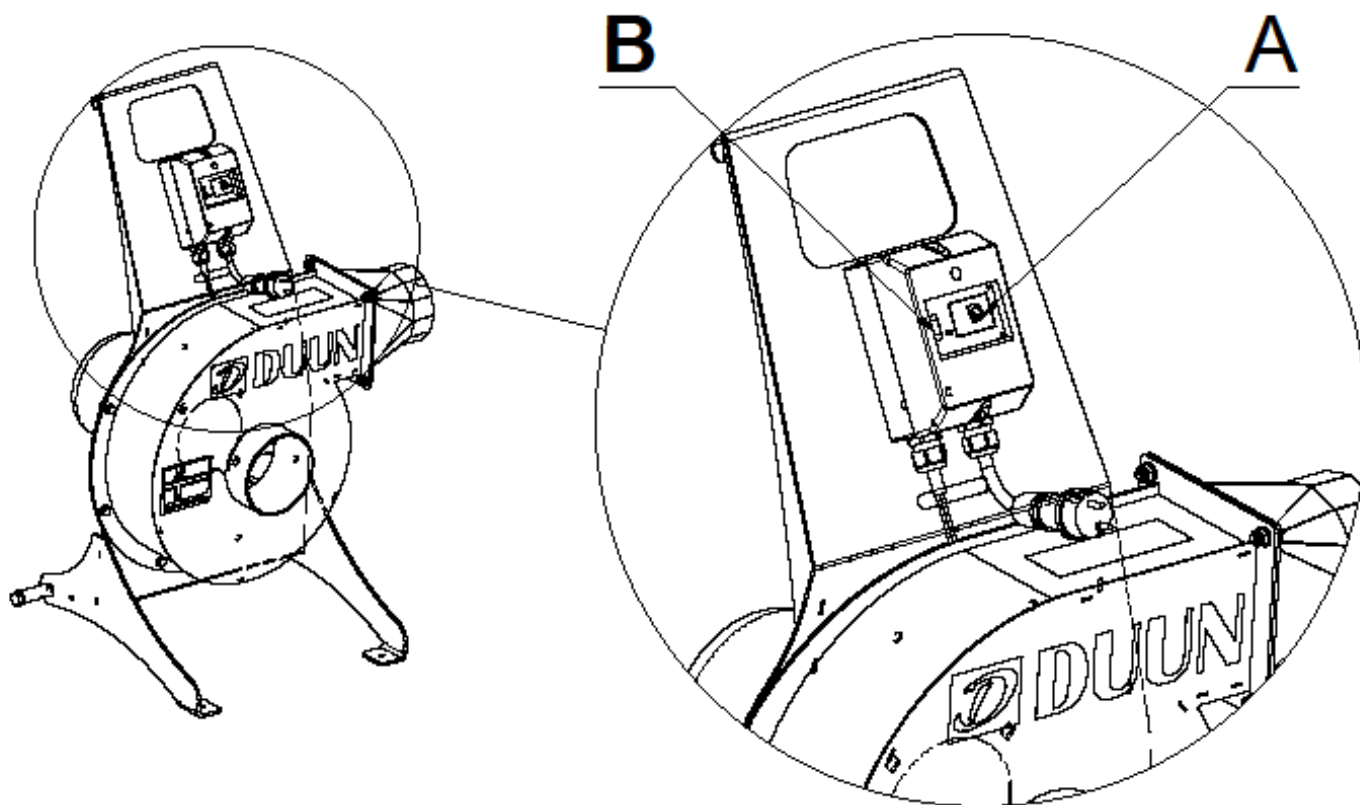


Unscrew the chip funnel (A) and fit a new chip funnel.
Unscrew the protective funnel for the pto (B) and fit it as shown in the drawing below.



Electrical operation

Fans with electric operation have a standard socket. Requires 10 A fuse.
Plugs into the socket and starts with button (A), to stop with button (B).



Hydraulic operation

Fans with hydraulic operation are connected to hydraulics on the tractor that drives the firewood processor.

It is important that the amount of oil is adjusted to between 20 l/min and 60 l/min.

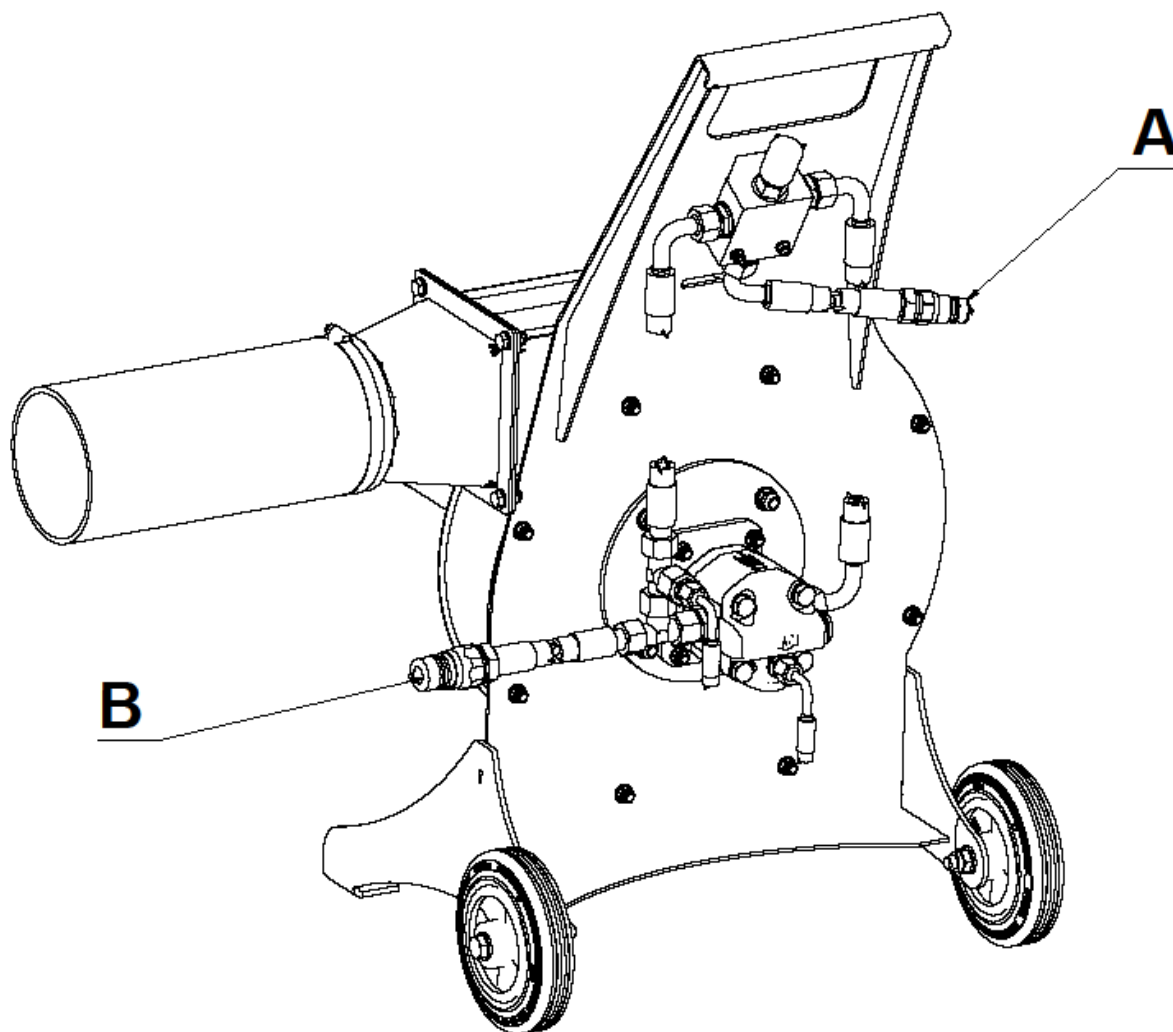
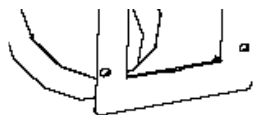
Too little oil will cause the fan to spin too low.

Too much oil could damage the fan and the hydraulic components.

Coupling **A** must be set on the pressure side.

Coupling **B** must have a free return! Straight to the tank! Supplied without coupling.

Coupling **B** must always be connected before use. If the return hose is not connected at start-up, this could damage the engine!



Declaration of conformity

Responsible person

Name: Karl Martin Eggen
Position: CEO
Company name: Duun Industrier as
Address: N-7630 Åsen
Norway
Telephone: +47 74 01 59 00

Person responsible for the technical documentation: Rolf Even Duun

Declares that the following machine: SV325 Sawdust fan
Manufacturer: Duun Industrier as
Type: Duun Sawdust fan SV325
is in accordance with:

Directive 2006/42/EC Machinery

Signed by:



Karl Martin Eggen

Åsen, 09.08.2023